



**GB 902**

# LIST OF THE EXPLODED VIEWS



**SHELL ASSY**

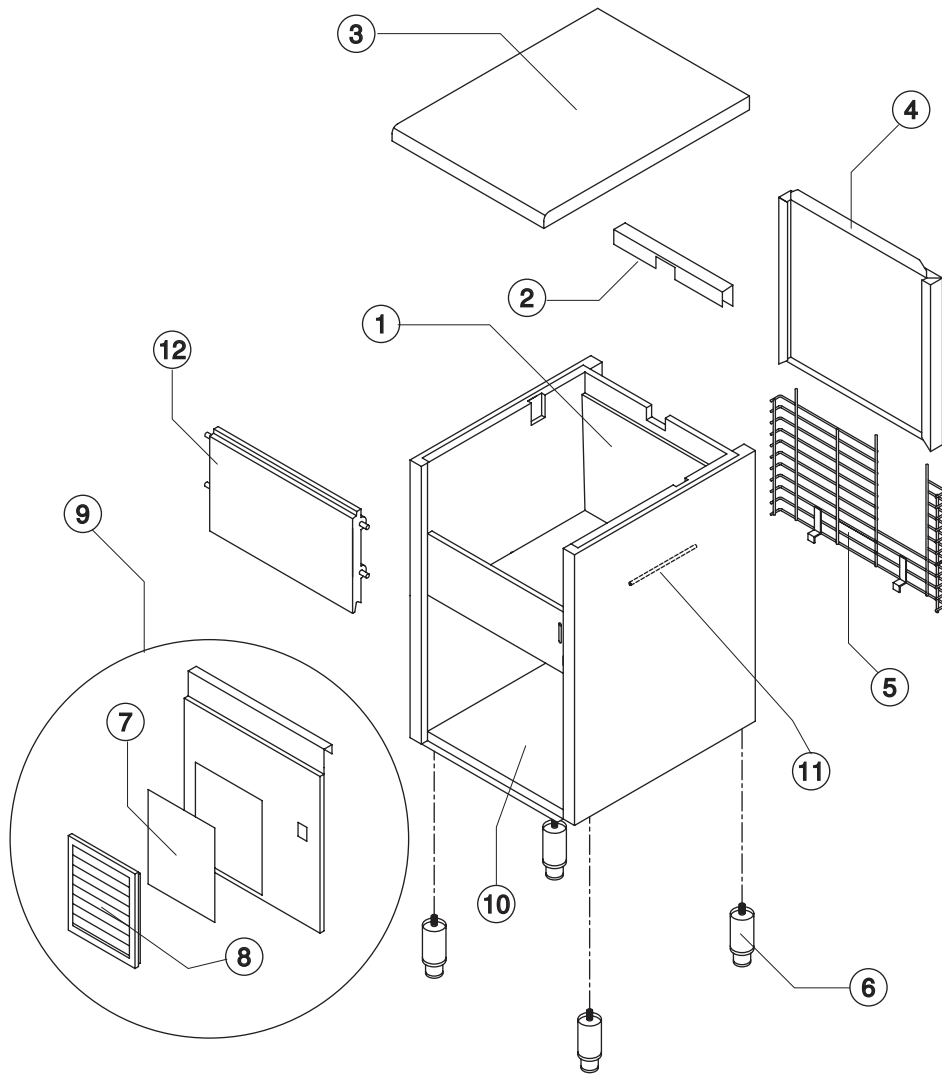
**COOLING SYSTEM**

**EVAPORATOR**

**HYDRAULIC CIRCUIT**

**ELECTRIC PARTS**

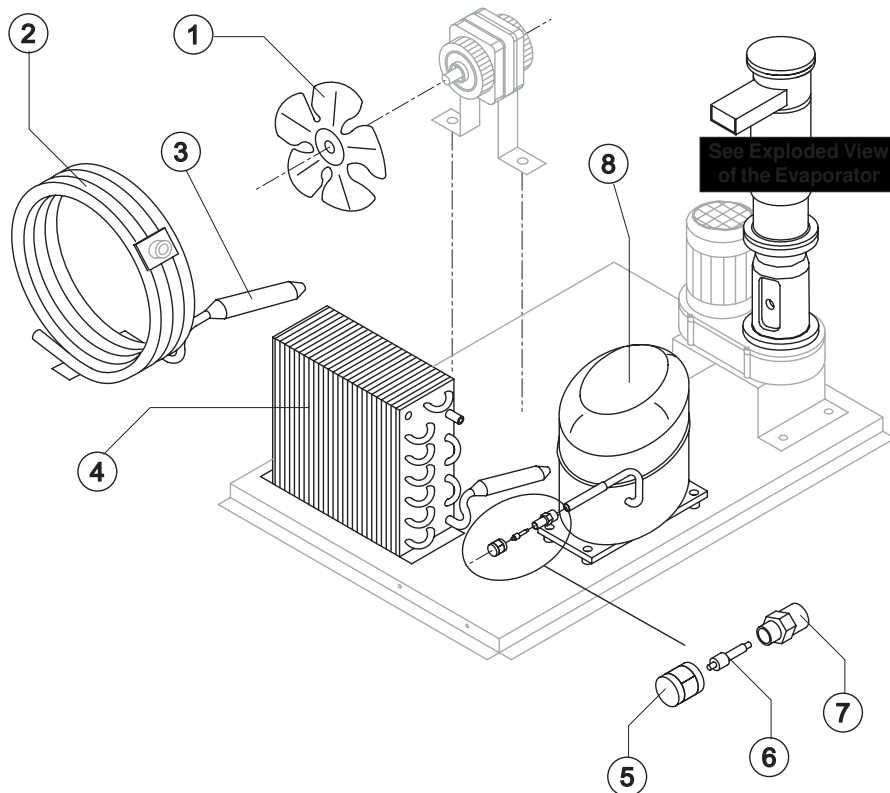
Rev. 12 - 22/01/2014



Ref.	Spare Description	Code
1	Foamed Cabinet Assy See Table	-
2	Cover for Ice Exhaust	22590
3	Top Assembly	C22689
4	Rear Panel Assembly	C21215
5	Rear Grid	D12014
6	Adjustable Stainless Steel Foot	20613
7*	Filtering Panel	18106
8	Frame + Grid & Filter	C10205
9	Front Grid Panel	C22507
10	Base Plate	21283
11	Bulbe-holder Pipe Current Version	20521
11	Bulbe-holder Pipe Till s/n. 443562	20522
12	Door Assy	C10297

### Ref. 1 - Foamed Cabinet Assy

Condensation	Code
Air	C11096A
Water	C11096W



### Common Parts

Ref.	Spare Description	Code
3*	Molecular Drier	14009
5*	Vacuum-Charge Valve Plug	14006
6*	Vacuum-Charge Valve Device	14005
7	Vacuum-Charge Valve Body	14007
8	Compressor	See Table

### Parts for Air-Cooled Version Only

Ref.	Spare Description	Code
1	Sucking Fan	See Table
4	Air Condenser	20283

### Parts for Water-Cooled Version Only

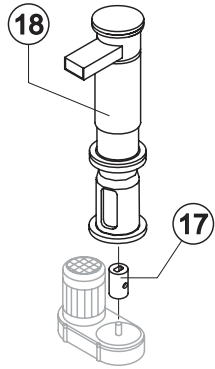
Ref.	Spare Description	Code
1	Sucking Fan	10213
2	Water Condenser	14057

### Ref. 1 - Sucking Fan

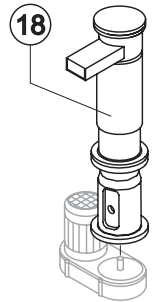
Voltage	Code
T11	20096
T12	20095
T13	20095
T19	20095

### Ref. 8 - Compressor

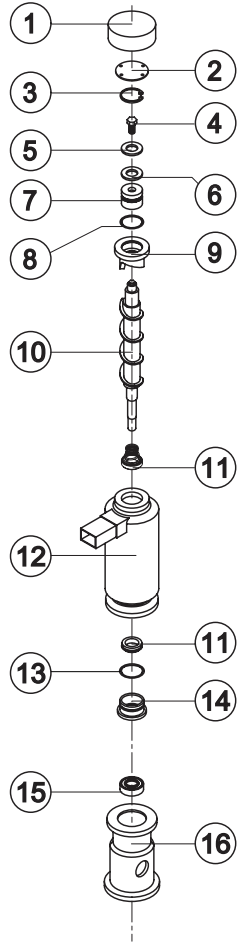
Voltage	Code
T11	23985
T12	23494A
T13	231036
T19	231036



C11140.

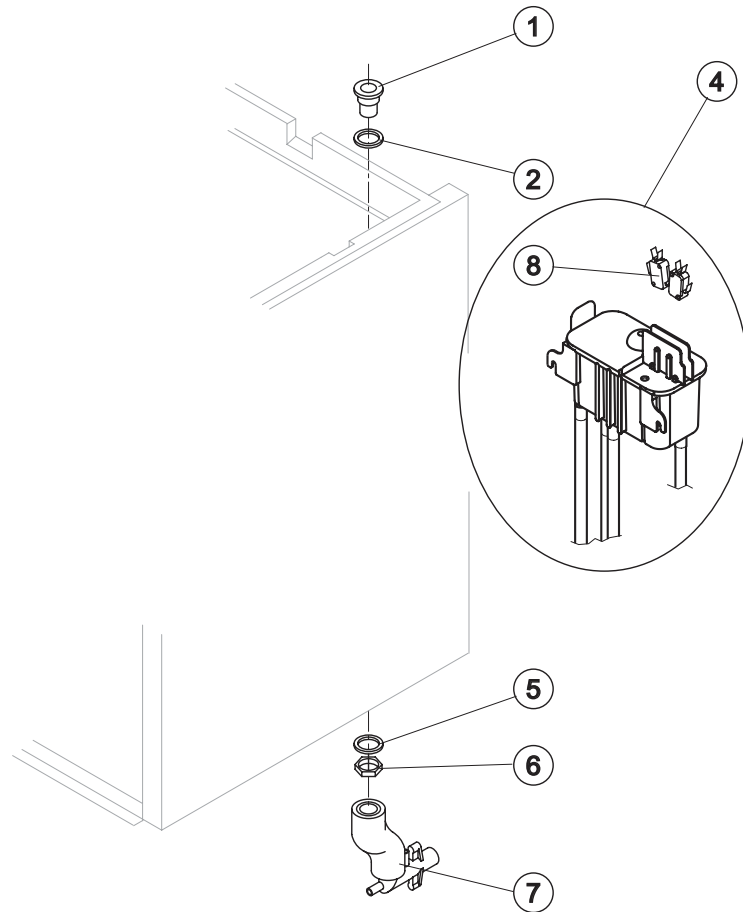


KITNEVGB



For Complete Evaporator,  
order C11140.  
Till s/n. 238343 order  
code KITNEVGB.

Ref.	Spare Description (from s/n. 211898)	Code
1	Insulating Cap	18170
2	Closing Disk	22825
3	Seeger	20043
4	Stainless Steel Screw	20663
5	Shimming Disk	22826
6	Self-Lubricating Disk	20631
7	Stainless Steel Thrust Bearing	20686
8	OR Gasket 3087	20688
9	Ice Breaker	20626
10	Auger	Current Version 20783
10	Auger with Screw	Till s/n. 238343 C20783
11	Ceramic Seal	20937
12	Insulated Evaporator	C11107
13	OR Gasket 3162 NBR70	20429
14	Reduction Ring	Current Version 20785
14	Reduction Ring	Till s/n. 238343 20624
15	Stainless Steel Bearing	Current Version 20782
15	Stainless Steel Bearing	Till s/n. 238343 20045
16	Flange	20629
17	Joint	Current Version D20784
17	Joint	Till s/n. 238343 D20630
18	Evaporator Assy	Current Version C11140
18	Evaporator Assy	Till s/n. 238343 KITNEVGB



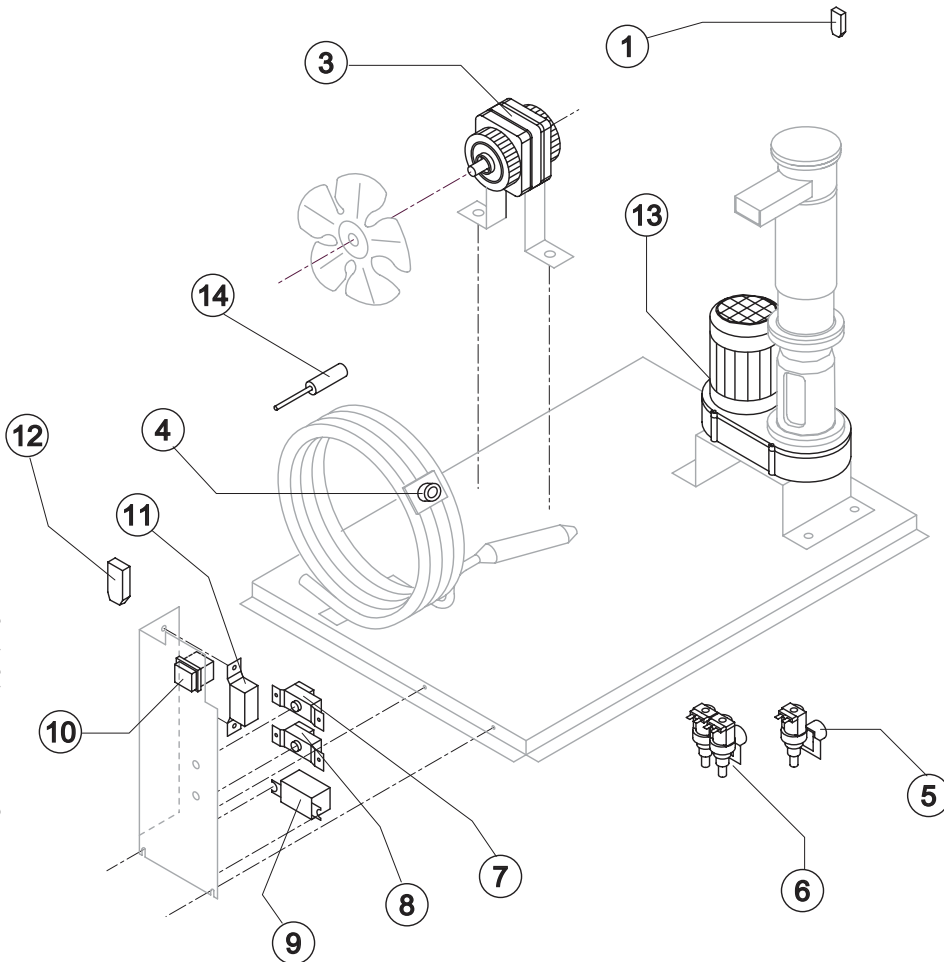
<b>Rif.</b>	<b>Descrizione Ricambio</b>	<b>Codice</b>
<i>Common Parts</i>		
<b>Ref.</b>	<b>Spare Description</b>	<b>Code</b>
1	Water Outlet Nipple	10472
2	Silicone Gasket	13006
4*	Double Switch Basin Assembly	C10704
5	Semirigid Polyethylene Gasket	13007
6	Bin Discharge Nut	10096
8	Microswitch	23055

### Parts for Air-Cooled Version Only

<b>Ref.</b>	<b>Spare Description</b>	<b>Code</b>
7	Discharges Manifold	C10235

### Parts for Water-Cooled Version Only

<b>Ref.</b>	<b>Spare Description</b>	<b>Code</b>
7	Discharges Manifold	C10240



### Common Parts

Ref.	Spare Description	Code
1	Anti Radio Interference Filter	T11 C23457
3*	Fan Motor	See Table -
7*	Bin Thermostat	R23005
8*	Evaporator Thermostat	Till s/n.613004 R23034
9*	Relay	See Table -
10*	Green Light Switch (On-Off)	23327
11*	Condenser Pressure Switch	See Table -
12	Anti Radio Interference Filter	T11 C23459
13	Gearmotor	See Table -
14	Low pressure safety switch	From s/n. 613005 23909

### Parts for Air-Cooled Version Only

Ref.	Spare Description	Code
5*	1 Way- Water Inlet Valve	See Table -

### Parts for Water-Cooled Version Only

Ref.	Spare Description	Code
4*	Safety Thermostat	C23114
6*	2 Ways- Water Inlet Valve	See Table -

Rev. 12 - 22/01/2014

#### Ref. 6\* - 2 Ways-Water Inlet Valve

Voltage	Code
T11	23116
T12	23116
T13	23322
T19	23322

#### Ref. 9\* - Relay

Voltage	Code
T11	23190
T12	23190
T13	23557
T19	23557

#### Ref. 11\* - Cond. Pressure Switch

Voltage	Code
T11	23175
T12	23175
T13	23175
T19	23680

#### Ref. 13 - Gearmotor

Voltage	Current Version	Till s/n. 594455
T11	231030	R231030
T12	231030	R231030
T13	231056	R231056
T19	231056	R231056

#### Ref. 3\* - Fan Motor

Voltage	Code
T11	23029
T12	23029
T13	23683
T19	23683

#### Ref. 5\* - 1 Way- Water Inlet Valve

Voltage	Code
T11	23115
T12	23115
T13	23410
T19	23410